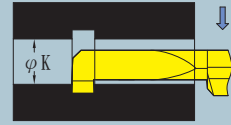
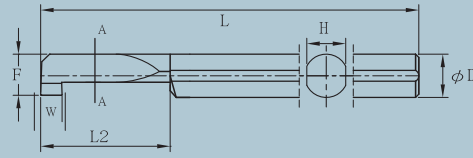
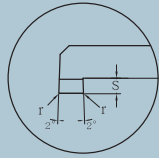
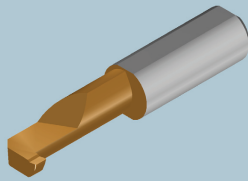


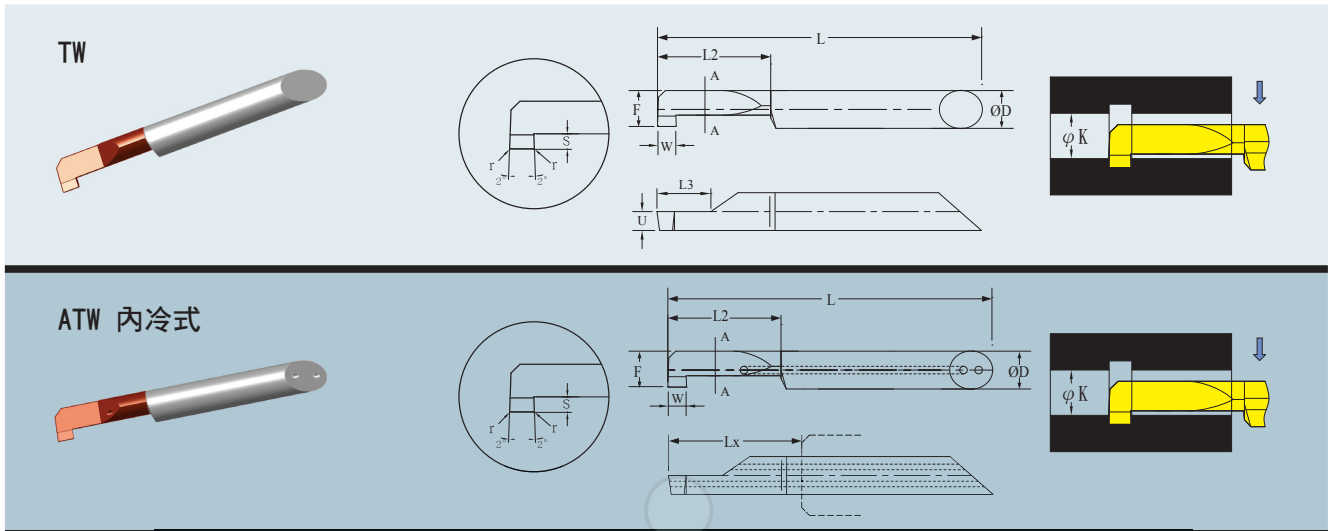
# 内徑槽刀 Micro Internal Grooving



型號 EDP NO.	ØK	F	W/0.03	L2	L	r/c	S	ØD	在庫 stock	適用套筒 Applicable Sleeve
53.4010-05	4	3.5	0.5	10	40	0.05c	0.8	4	●	SP.250-04** SP.5650-04**
53.4010-10	4	3.5	1.0	10	40	0.1	0.8	4		
53.4010-15	4	3.5	1.5	10	40	0.2	0.8	4		
53.4010-20	4	3.5	2.0	10	40	0.2	0.8	4		
53.5015-05	5	3.8	0.5	15	45	0.05c	1.0	4		
53.5015-10	5	3.8	1.0	15	45	0.1	1.0	4		
53.5015-15	5	3.8	1.5	15	45	0.2	1.0	4		
53.5015-20	5	3.8	2.0	15	45	0.2	1.0	4		
53.6015-10	6	5.5	1.0	15	50	0.1	1.5	6	●	SP.250-06** SP.5650-06**
53.6015-15	6	5.5	1.5	15	50	0.2	1.5	6		
53.6015-20	6	5.5	2.0	15	50	0.2	1.5	6		
53.7020-10	7	5.8	1.0	20	55	0.1	1.8	6		
53.7020-15	7	5.8	1.5	20	55	0.2	1.8	6		
53.7020-20	7	5.8	2.0	20	55	0.2	1.8	6	●	
53.8025-10	8	7.8	1.0	25	60	0.1	2.0	8	●	SP.250-08** SP.5650-08**
53.8025-15	8	7.8	1.5	25	60	0.2	2.0	8		
53.8025-20	8	7.8	2.0	25	60	0.2	2.0	8		
53.10030-10	10	9.8	1.0	30	75	0.1	2.5	10	●	SP.250-10** SP.5650-10**
53.10030-15	10	9.8	1.5	30	75	0.2	2.5	10		
53.10030-20	10	9.8	2.0	30	75	0.2	2.5	10		
53.10030-30	10	9.8	3.0	30	75	0.2	2.5	10		
53.12035-10	12	11.8	1.0	35	80	0.1	2.5	12		
53.12035-15	12	11.8	1.5	35	80	0.2	3.0	12		
53.12035-20	12	11.8	2.0	35	80	0.2	3.0	12		
53.12035-30	12	11.8	3.0	35	80	0.2	3.0	12		

無"●"標示者為訂製品。Without "●" marking means custom products.  
有"●"標示者為在庫品。With "●" marking means items in stock.

# 内徑槽刀 Micro Internal Grooving



型號 EDP NO.	內冷式 型號 EDP NO.	ØK	F	W±0.03	L2	Lx	r/c	S	ØD	U	L3	在庫 stock	適用套筒 Applicable Sleeve
TW 53.4010-05	ATW 53.4010-05	4	3.7	0.5	10	12	0.05C	0.8	4	2.1	4		SP.380-04**
TW 53.4010-10	ATW 53.4010-10	4	3.7	1.0	10	12	0.1	0.8	4	2.1	4		
TW 53.4010-15	ATW 53.4010-15	4	3.7	1.5	10	12	0.2	0.8	4	2.1	4		
TW 53.4010-20	ATW 53.4010-20	4	3.7	2.0	10	12	0.2	0.8	4	2.1	4		
TW 53.5015-05	ATW 53.5015-05	5	4.8	0.5	15	17	0.05C	1.0	5	2.6	5		SP.380-05**
TW 53.5015-10	ATW 53.5015-10	5	4.8	1.0	15	17	0.1	1.0	5	2.6	5		
TW 53.5015-15	ATW 53.5015-15	5	4.8	1.5	15	17	0.2	1.0	5	2.6	5		
TW 53.5015-20	ATW 53.5015-20	5	4.8	2.0	15	17	0.2	1.0	5	2.6	5		
TW 53.6020-10	ATW 53.6020-10	6	5.8	1.0	20	23	0.1	1.5	6	3.1	7		SP.380-06**
TW 53.6020-15	ATW 53.6020-15	6	5.8	1.5	20	23	0.2	1.5	6	3.1	7		
TW 53.6020-20	ATW 53.6020-20	6	5.8	2.0	20	23	0.2	1.5	6	3.1	7		
TW 53.7025-10	ATW 53.7025-10	7	6.8	1.0	25	28	0.1	1.8	7	3.6	9		SP.380-07**
TW 53.7025-15	ATW 53.7025-15	7	6.8	1.5	25	28	0.2	1.8	7	3.6	9		
TW 53.7025-20	ATW 53.7025-20	7	6.8	2.0	25	28	0.2	1.8	7	3.6	9		
TW 53.8030-10	ATW 53.8030-10	8	7.8	1.0	30	33	0.1	2.0	8	4.1	12		SP.380-08**
TW 53.8030-15	ATW 53.8030-15	8	7.8	1.5	30	33	0.2	2.0	8	4.1	12		
TW 53.8030-20	ATW 53.8030-20	8	7.8	2.0	30	33	0.2	2.0	8	4.1	12		

無"●"標示者為訂製品 ◦ Without "●" marking means custom products.  
 有"●"標示者為在庫品 ◦ With "●" marking means items in stock.